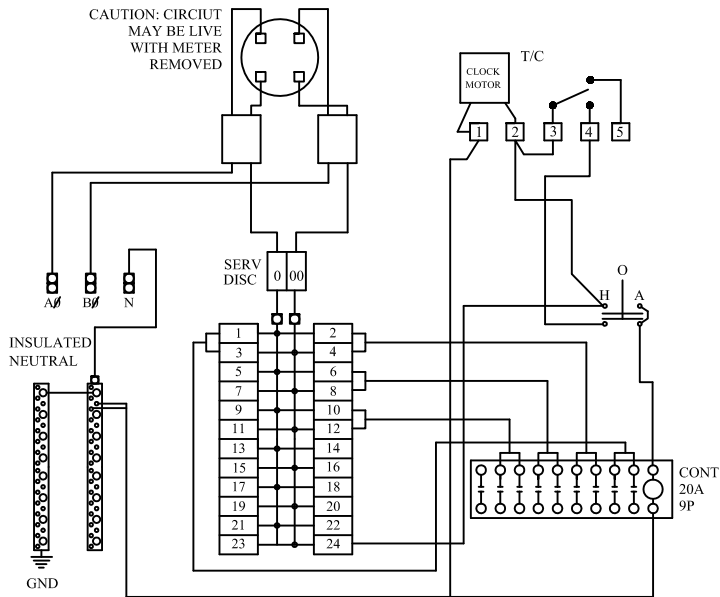


### STANDARD CATALOG NUMBERS

CATALOG NUMBER	AMPS	VOLTAGE	PHASE	MAIN	BRANCH CIRCUITS	AIC RATING
USPI46-M2200-124TB	200	120/240	1PH 3W	YES	24	65,000
USPI46-M3200-31812CTB-480	200	277/480	3PH 4W	YES	26	14,000

#### CAT. NO. USPI46-M2200-124TB



#### CAT. NO. USPI46-M3200-31812CTB-480

