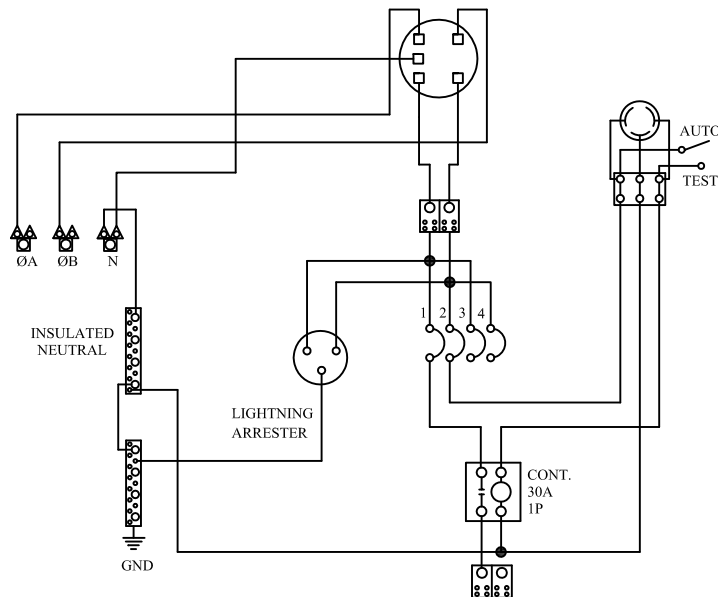


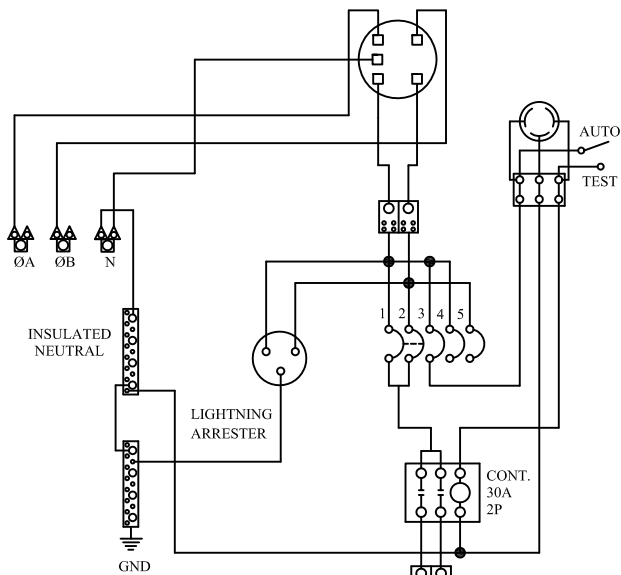
### STANDARD CATALOG NUMBERS

<u>CATALOG NUMBER</u>	<u>AMPS</u>	<u>VOLTAGE</u>	<u>PHASE</u>	<u>MAIN</u>	<u>BRANCH CIRCUITS</u>	<u>AIC RATING</u>
USPA-100-100-MODOT1	100	120/240	1PH 3W	NO	4	5,000
USPA-100-100-MODOT2	100	240	1PH 3W	NO	5 (1 - 240V LTG.)	5,000
USPA-100-100-MODOT3	100	240	1PH 3W	NO	5 (2 - 240V LTG.)	5,000

CAT. NO. USPA-100-100-MODOT1



CAT. NO. USPA-100-100-MODOT2



CAT. NO. USPA-100-100-MODOT3

