



# MODEL SERIES

AMPERES

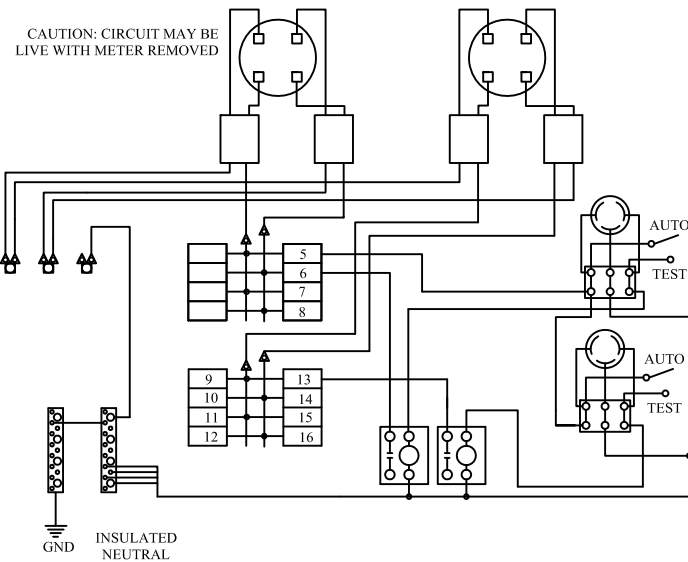
VOLTS

## STANDARD CATALOG NUMBERS

| <u>CATALOG NUMBER</u> | <u>AMPS</u> | <u>VOLTAGE</u> | <u>PHASE</u> | <u>MAIN</u> | <u>BRANCH CIRCUITS</u> | <u>AIC RATING</u> |
|-----------------------|-------------|----------------|--------------|-------------|------------------------|-------------------|
| USP2D-100-188CTB2     | 125         | 120/240        | 1PH 3W       | NO          | 8 & 8                  | 10,000            |
| USP2D-2M2100-188CTB   | 100         | 120/240        | 1PH 3W       | YES         | 6 & 6                  | 10,000            |

### CAT. NO. USP2D-100-188CTB2

SHOWN WITH ADDITIONAL OPTIONAL COMPONENTS



### CAT. NO. USP2D-2M2100-188CTB

SHOWN WITH ADDITIONAL OPTIONAL COMPONENTS

