



# USP16 MODEL SERIES

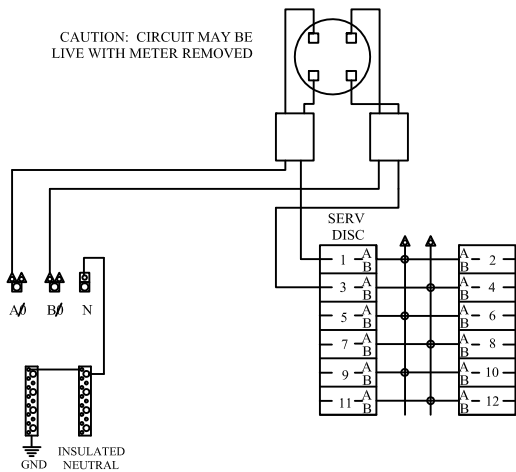


0 - 200 AMPS 0 - 480 VOLTS

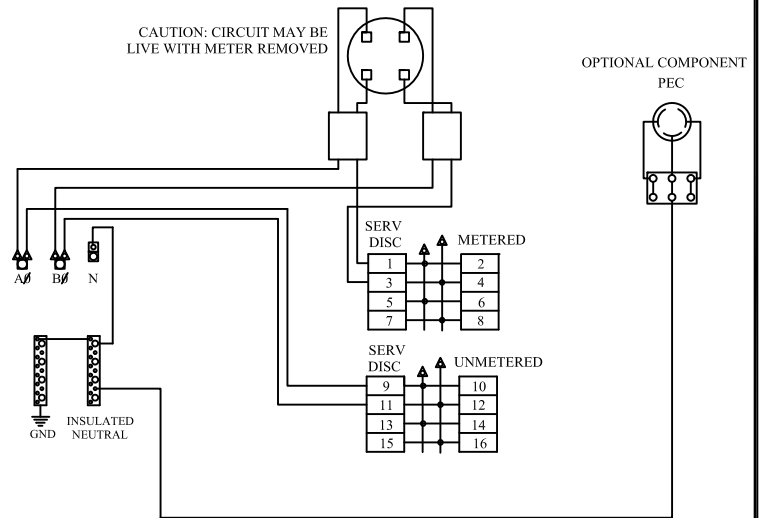
## STANDARD CATALOG NUMBERS

CATALOG NUMBER	AMPS	VOLTAGE	PHASE	MAIN	BRANCH CIRCUITS	AIC RATING
USP16-M2100-112CTB	100	120/240	1PH 3W	YES	10	10,000
USP16-M2200-112CTB	200	120/240	1PH 3W	YES	8	10,000
USP16-M3100-188CTB	100	120/240	1PH 3W	YES (3P)	6 & 6	10,000
USP16-100-188CTB	100	120/240	1PH 3W	NO	8 & 8	10,000
USP16-2M2100-188CTB	100	120/240	1PH 3W	YES (2)	8 & 8	10,000
USP16-M2100-112CTB-SD	100	120/240	1PH 3W	YES	12	42,000
USP16-M3100-188CTB-SD	100	120/240	1PH 3W	YES (3P)	8 & 8	42,000
USP16-100-188CTB-SD	100	120/240	1PH 3W	NO	8 & 8	42,000
USP16-F2100-112CTB	100	120/240	1PH 3W	FUSED	12	65,000
USP16-F2200-100TB	200	120/240	1PH 3W	FUSED	12	65,000

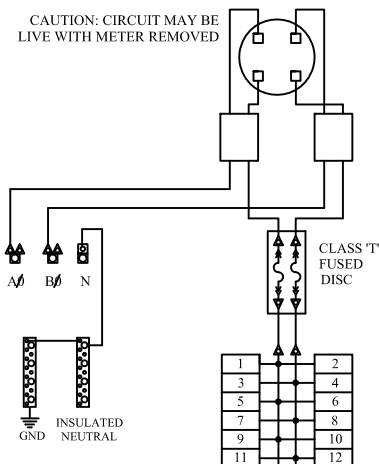
CAT. NO. USP16-M2100-112CTB



CAT. NO. USP16-2M2100-188CTB



CAT. NO. USP16-F2100-112CTB



CAT. NO. USP16-M2100-112CTB-SD

