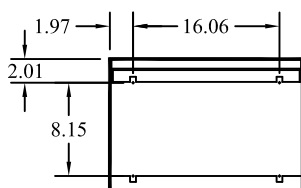


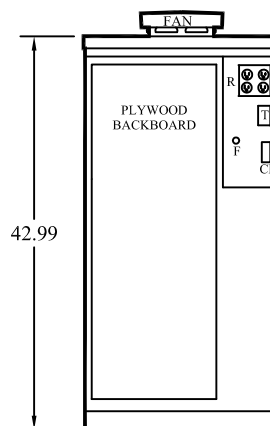
FRONT VIEW



SIDE VIEW



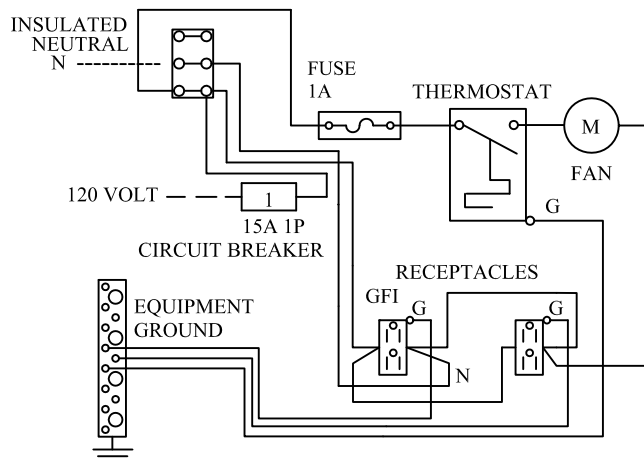
FOUNDATION PLAN



FRONT VIEW  
(LESS HINGED DOOR)

### WIRING DIAGRAM

CAT. NO. TDB-TYPE B | 120VAC 1PH 2WIRE 15AMPS



### TELEPHONE DEMARCATION BOX

#### STANDARD FEATURES

- 15A 1P CB 10K
- (1) 15A GFI DUPLEX RECEPTACLE
- (1) 15A DUPLEX RECEPTACLE
- 1 AMP ABC FUSE
- THERMOSTAT
- FAN-125V MOTOR, 25CFM EXHAUST CAP. MIN.
- BOLTED PLYWOOD BACKBOARD

CAL TRANS STANDARD TYPE "B" 2006 ES-3E SPEC.

### SPECIFICATIONS

- \* NEMA 3R CONSTRUCTION
- \* FABRICATED FROM CORROSION-RESISTANT .125 ALUMINUM

- \* ALL FACTORY WIRING 600 VOLT RATED COPPER
- \* ALL COMPONENTS UL LISTED
- \* ALL EXTERIOR DOORS AND COVERS PADLOCKABLE