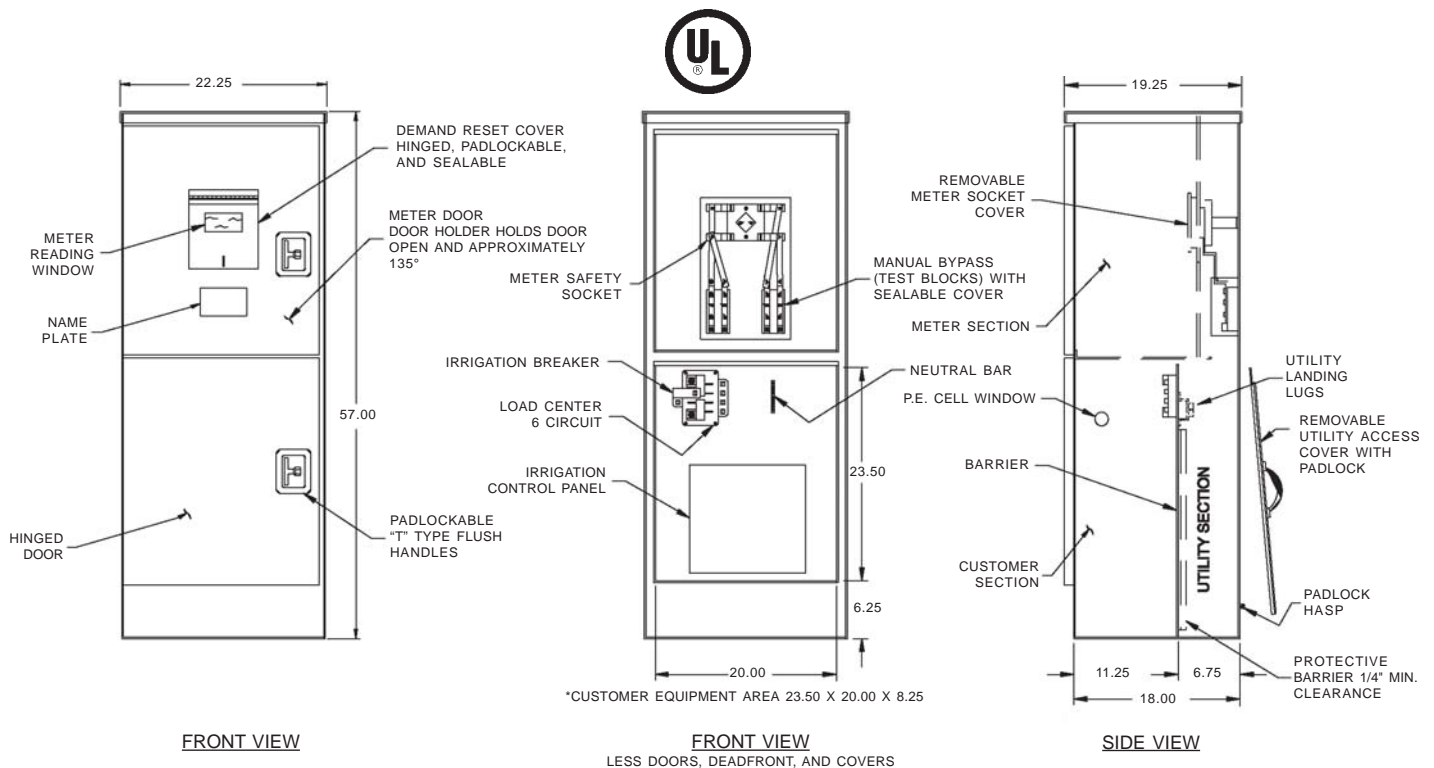


Designed to supply metered power to remote locations
and enclose an irrigation controller.



STANDARD FEATURES

- Standard voltage 120/240V 1 ϕ 3W.
- Meter Socket: 4 jaw, 100 amps, with test blocks.
- 6 circuit copper bussed interior.
- Breaker 20 amp single pole 10K AIC.
- Utility Landing Lugs: 200 amps.
- Vandal-resistant enclosure has side-hinged door for easy installation and maintenance.
- Light green powder coat finish in accordance with ASTM B-117. Custom colors available.
- Utility test section.
- Plywood mounting board for equipment mounting.

OPTIONAL FEATURES

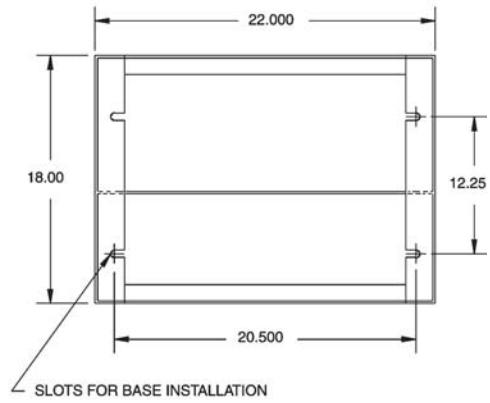
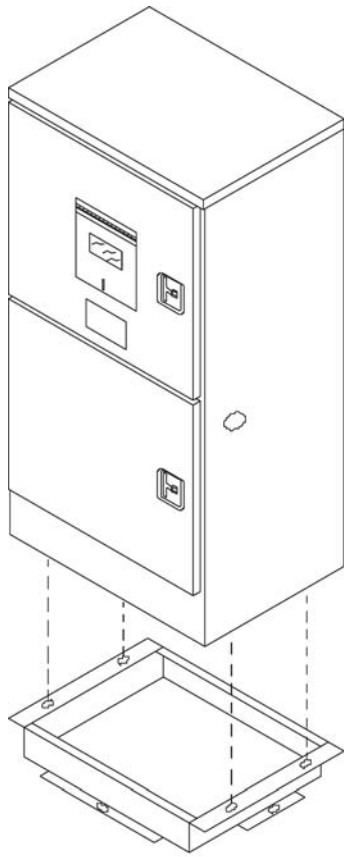
- Maximum voltage 120/240V 3 ϕ 4W (may effect optional equipment).
- Main breaker up to 100 amps 42K AIC.
- P.E. cell, test switch.
- Some equipment modifications available. Consult your factory representative.
- Meter Sockets: 5 jaw, 100 amps.
- Meter sockets with or without test blocks.
- Aluminum or stainless steel cabinets available.
- Pad Mounting Base available for concrete foundation. Order separately - MEUGI-BASE.
- Anchor Bolts. Order separately - 714548 (quantity 4).
- Uni-body construction available in steel, stainless steel, and aluminum.

SPECIFICATIONS

- 12 gauge corrosion resistant zinc coated steel construction. Hood and covers 14 gauge.
- Rainproof Type 3R enclosure.
- Padlockable "T" type handles.
- Meets EUSERC 309 requirements.
- All factory wiring is 600 volt rated copper.
- Acceptable circuit breakers are GE, ITE, Crouse-Hinds/Murray, Cutler-Hammer.
- Suitable for use without main when no more than six service disconnects are installed and used in accordance with article 384 of the NEC.
- Listed by Underwriters Laboratories, Inc.

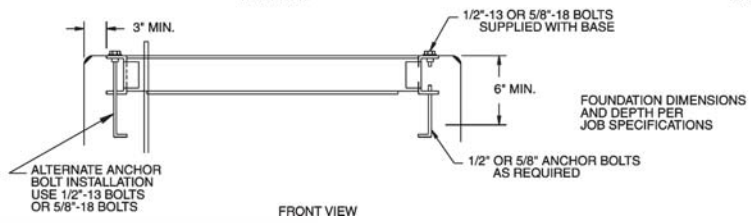
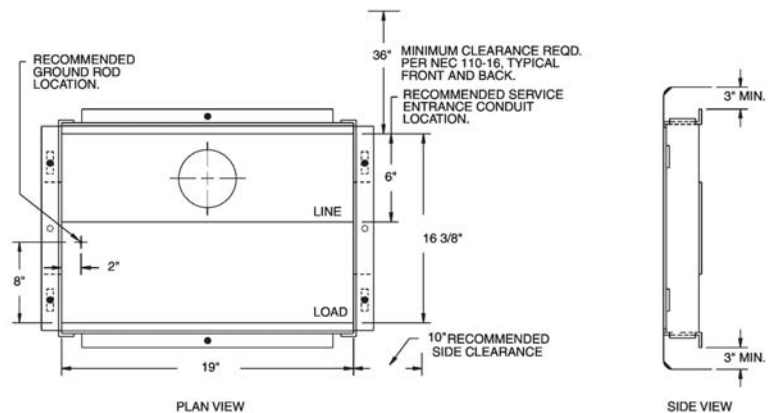
STANDARD MODEL
*Custom configurations also available.
 Consult your factory representative.*

Catalog No.	Amps	Voltage	Main	AIC Rating
MEUGI-M285	100	120/240	100A	10,000
<i>For aluminum enclosure order MEUGIA- For stainless steel enclosure order MEUGIX-</i>				



BOTTOM VIEW
MOUNTING SLOT DETAIL

BASE DETAIL



Tel: 866-MY-MYERS Fax: 951-520-1961
 www.myerspwrproducts.com