

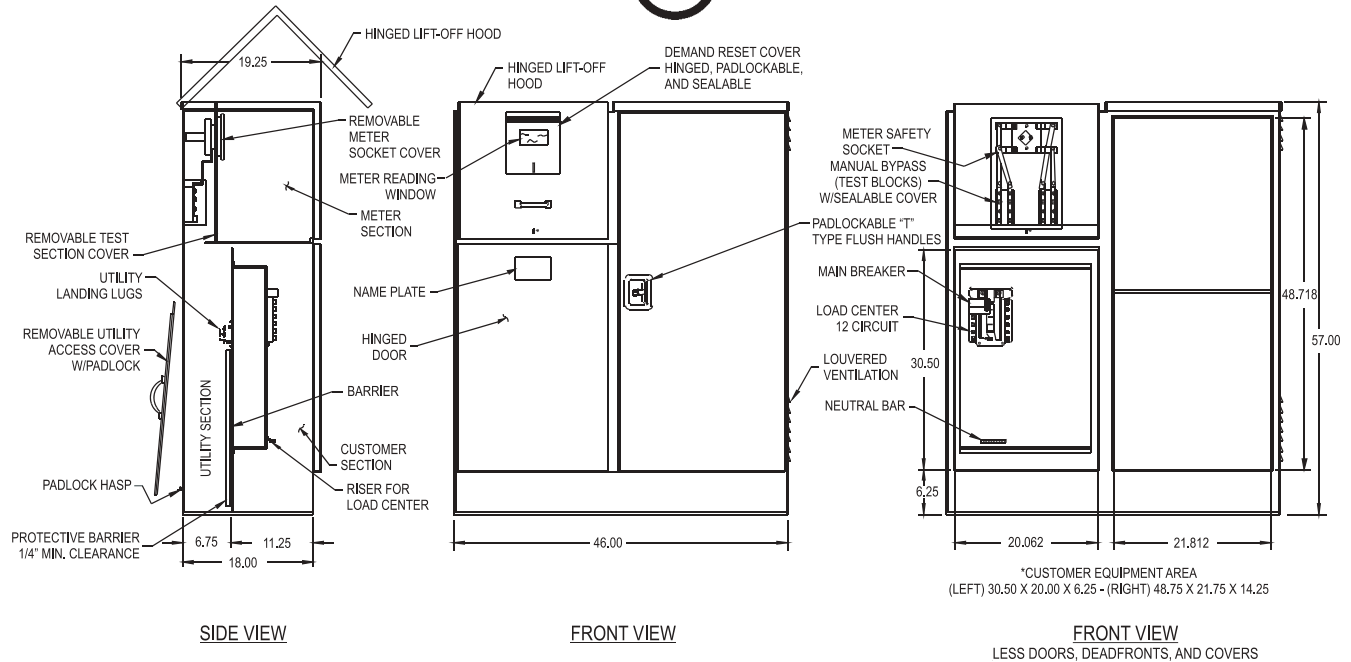


MYERS

Power Pedestals

MEUG46 (formerly MEUGD)

Designed to supply metered power to remote locations
and enclose an irrigation controller.



STANDARD FEATURES

- Standard voltage 120/240V 1Ø 3W.
- Meter Socket: 4 jaw, 100 amps or 200 amps.
- Meter socket with test blocks.
- 12 circuit copper bussed interior.
- Main Breaker: 100 amps or 200 amps, 10K AIC.
- Utility Landing Lugs: 200 amps.
- Vandal-resistant hinged door and dead front.
- Light green powder coat finish in accordance with ASTM B-117. Custom colors available.
- 2-14 gauge adjustable mounting panels (right side).

OPTIONAL FEATURES

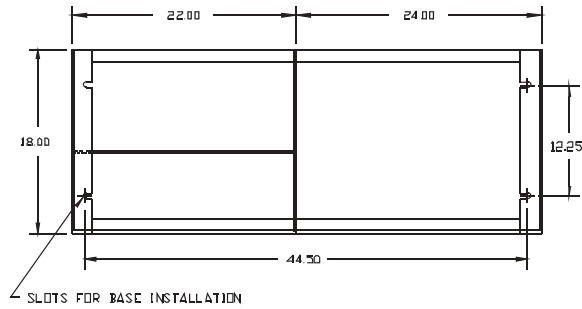
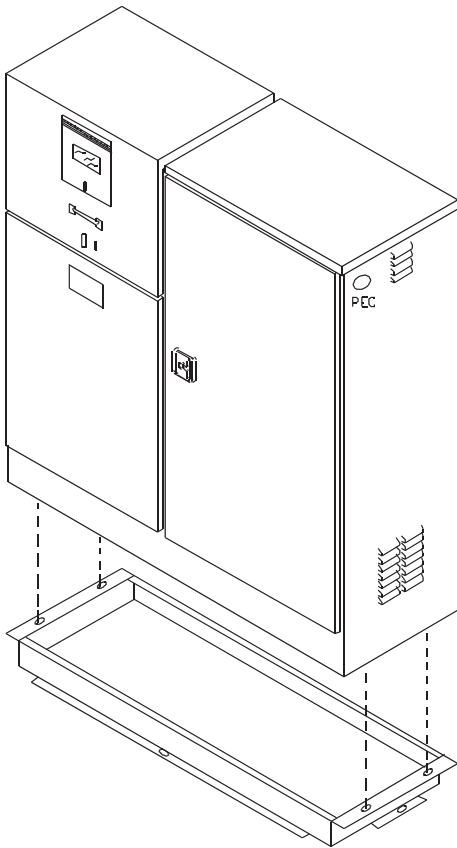
- Maximum voltage 480Y/277V 3Ø 4W (may effect optional equipment).
- 12 circuit interior may be increased to 30 circuit.
- Higher AIC available upon request.
- P.E. cell, test switch, lighting relay may be added to standard.
- Some equipment modifications available. Consult your factory representative.
- Meter Sockets: 5 jaw or 7 jaw, 100 amps or 200 amps.
- Meter sockets with or without test blocks.
- Pad Mounting Base available for concrete foundation. Order separately - MEUG46-BASE.
- Anchor bolts. Order separately - 714548 (quantity 4).
- Uni-body construction available in steel, stainless steel and aluminum.

SPECIFICATIONS

- 12 gauge corrosion resistant zinc coated steel construction. Hood and covers 14 gauge.
- Rainproof type 3R enclosure.
- Complies with Caltrans specification ES-2E.
- Meets EUSERC 308 requirements.
- All factory wiring is 600 volt rated copper.
- Acceptable circuit breakers are GE, ITE, Crouse-Hinds/Murray, Cutler-Hammer.
- Suitable for use without main when no more than six service disconnects are installed and used in accordance with article 384 of the NEC.
- Listed by Underwriters Laboratories, Inc.

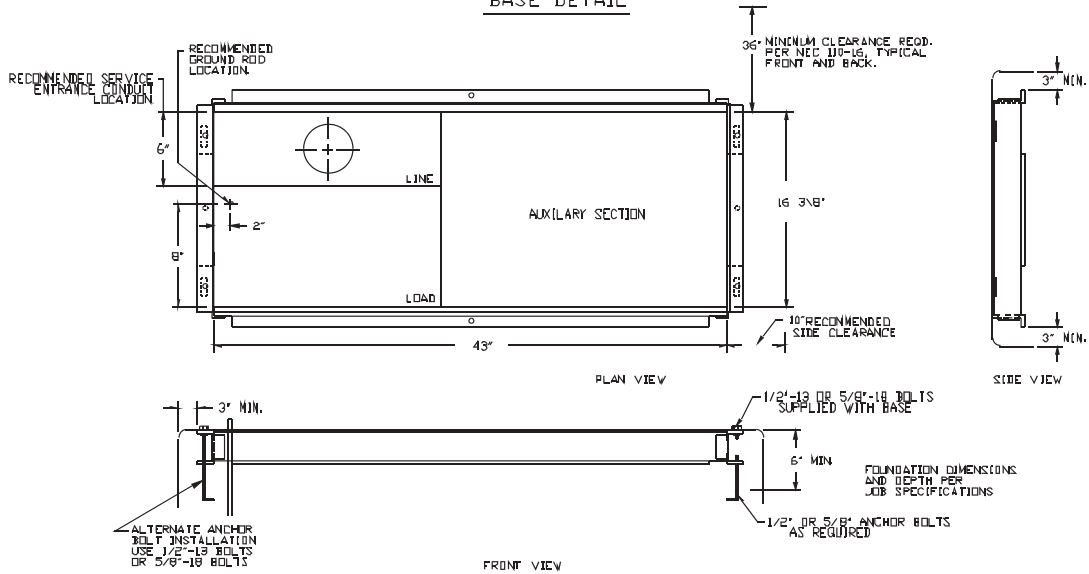
STANDARD MODELS
*Custom configurations also available.
 Consult your factory representative.*

Catalog No.	Amps	Voltage	Main	AIC Rating
MEUG46-M100	100	120/240	100	10,000
MEUG46-M200	200	120/240	200	10,000
<i>For aluminum enclosure order MEUG46A- For stainless steel enclosure order MEUG46X-</i>				



BOTTOM VIEW
 MOUNTING SLOT DETAIL

BASE DETAIL



Tel: 866-MY-MYERS Fax: 951-520-1961
 www.myerspowerproducts.com

ISO 9001
 Certified Manufacturer

Specifications are subject to change without notice to reflect improvements and upgrades.