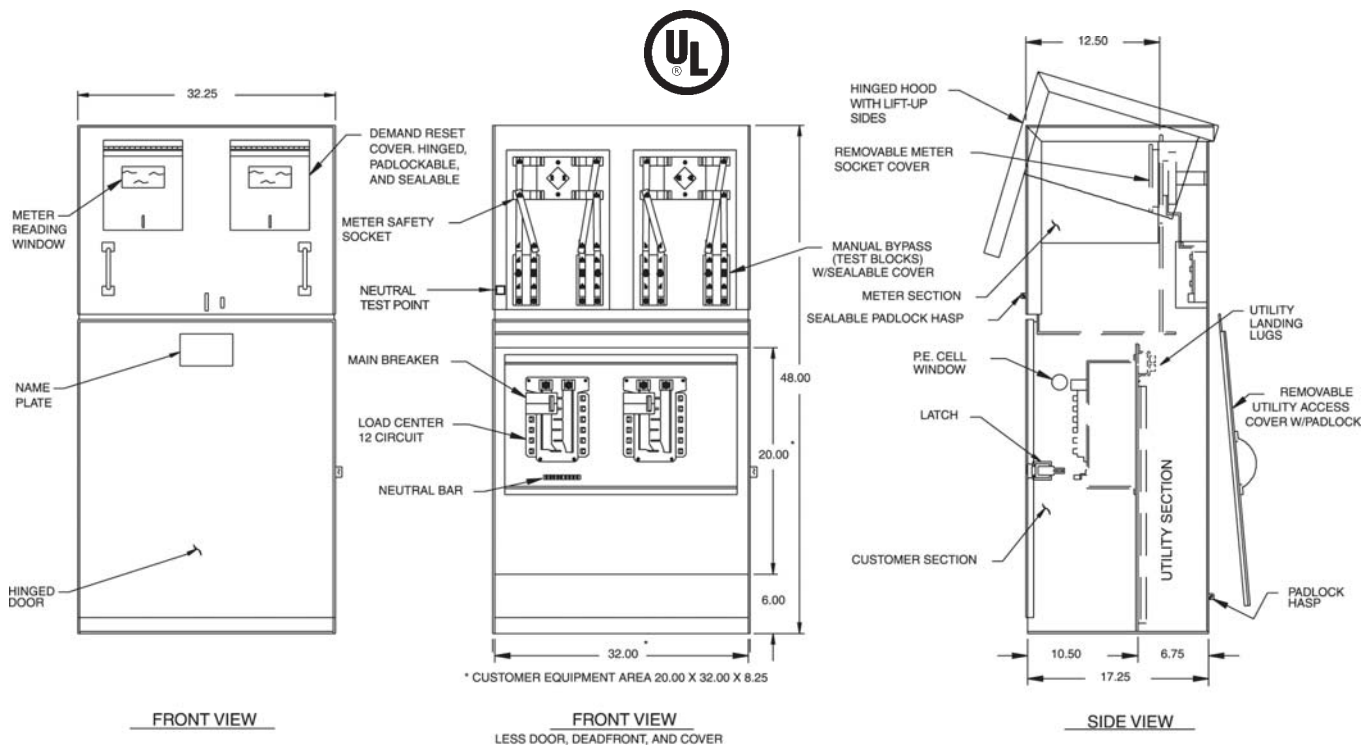




# MEUG32-D

(formerly MEUGSD)  
Caltrans Type III-CF

Dual metered underground service pedestal. Used where individual metered loads are billed at different rates or billed to different accounts.



## STANDARD FEATURES

- Standard voltage 120/240V 1Ø 3W.
- Meter Socket: 4 jaw, 100 amps.
- Meter socket with test blocks.
- 12 circuit copper bussed interior.
- Main Breaker: 100 amps, 10K AIC.
- Utility Landing Lugs: 200 amps, 250 kcmil.
- Vandal-resistant hinged door and dead front.
- Light green powder coat finish in accordance with ASTM B-117. Custom colors available.

## OPTIONAL FEATURES

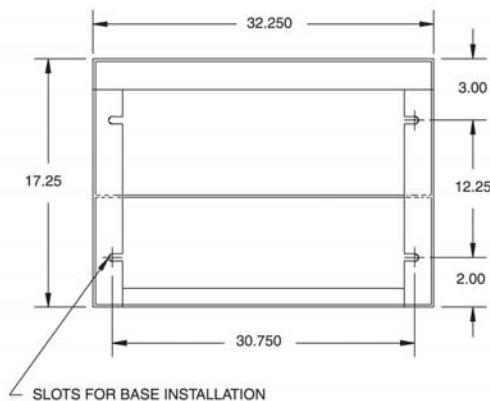
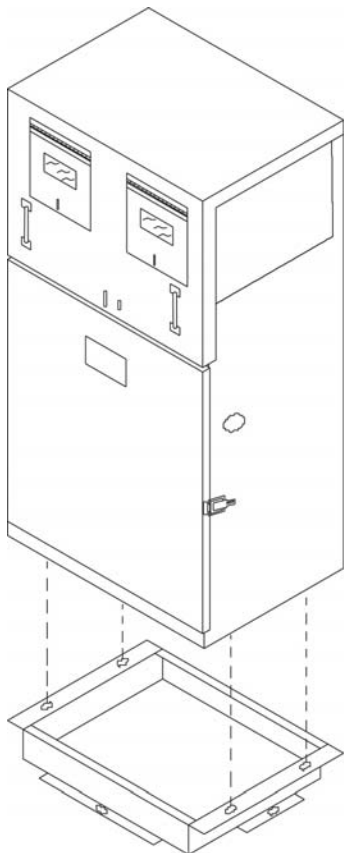
- Maximum voltage 480Y/277V 3Ø 4W (may affect optional equipment).
- 12 circuit interior may be increased to 30 circuit.
- Higher AIC available upon request.
- P.E. cell, test switch, lighting relay may be added to standard.
- Some equipment modifications available. Consult your factory representative.
- Meter Sockets: 5 jaw or 7 jaw, 100 amps.
- Pad Mounting Base available for concrete foundation. Order separately - MEUG32-BASE.
- Anchor bolts. Order separately - 714548 (quantity 4).

## SPECIFICATIONS

- 12 gauge corrosion resistant zinc coated steel construction. Hood and covers 14 gauge.
- Rainproof Type 3R enclosure.
- Complies with Caltrans specification ES-2F.
- Meets EUSERC 308 requirements.
- All factory wiring is 600 volt rated copper.
- Acceptable circuit breakers are GE, ITE, Crouse-Hinds/Murray, Cutler-Hammer.
- Suitable for use without main when no more than six service disconnects are installed and used in accordance with article 384 of the NEC.
- Listed by Underwriters Laboratories, Inc.

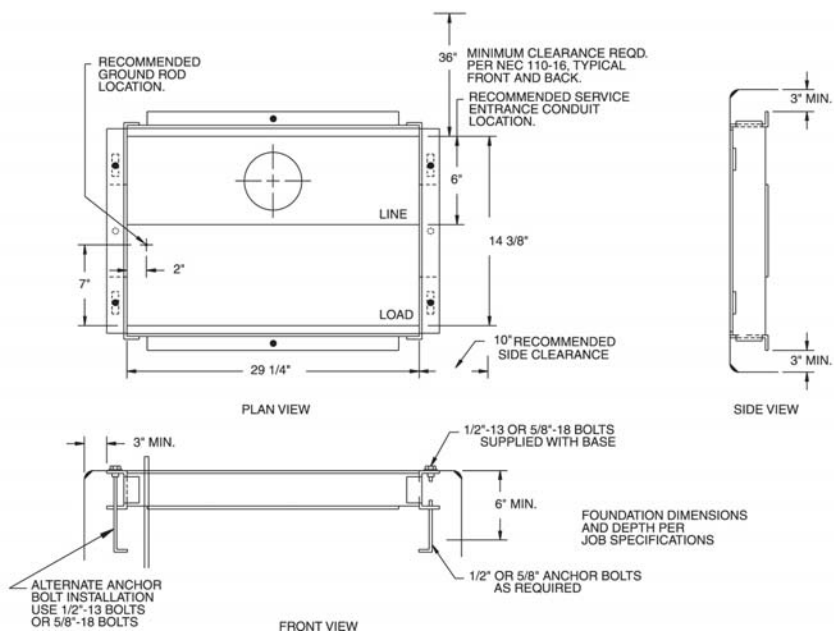
**STANDARD MODEL**  
*Custom configurations also available.  
 Consult your factory representative.*

| Catalog No.  | Amps | Voltage | Main      | AIC Rating |
|--|------|---------|-----------|------------|
| MEUG32-D-M100/M100   | 200  | 120/240 | 100A/100A | 10,000     |
| <i>For aluminum enclosure order MEUG32A-<br/>           For stainless steel enclosure order MEUG32X-</i> |      |         |           |            |



**BOTTOM VIEW**  
**MOUNTING SLOT DETAIL**

**BASE DETAIL**



Tel: 866-MY-MYERS Fax: 951-520-1961  
 www.myerspowerproducts.com

Specifications are subject to change without notice to reflect improvements and upgrades.