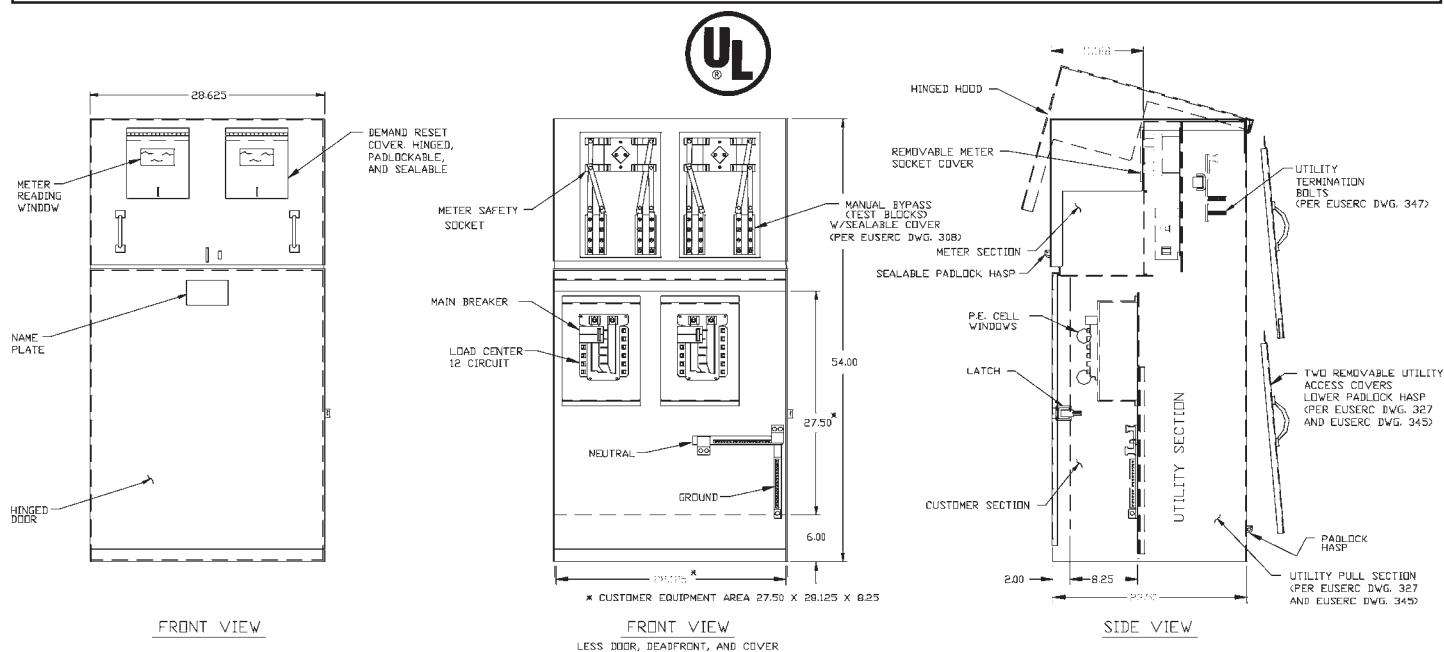




# MEUG28 -M200/M200

Dual-metered underground service pedestal. Used where individual metered loads are billed at different rates or to different accounts and when two 200A mains are needed.



## STANDARD FEATURES

- Standard voltage 120/240V 1Ø 3W.
- Meter Socket: 4 jaw, 200 amps.
- Meter socket with test blocks.
- 12 circuit copper bussed interior.
- Main Breaker: 200 amps, 10k AIC.
- Utility Landing: 400 amp bolt pattern.
- Vandal-resistant hinged door and dead front.

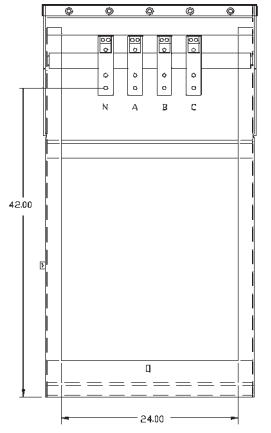
## OPTIONAL FEATURES

- Maximum voltage 480Y/277V 3Ø 4W (may affect optional equipment).
- 12 circuit interior may be increased to 30 circuit.
- Higher AIC available upon request.
- P.E. cell, test switch, lighting relay may be added to standard.
- Some equipment modifications available. Consult your factory representative.
- Meter Sockets: 5 jaw or 7 jaw, 100 amps or 200 amps.
- Pad Mounting Base available for concrete foundation. Order separately - MEUG28-BASE.
- Anchor bolts. Order separately - 714548 (quantity 4).
- Stainless steel or powder coat finish.

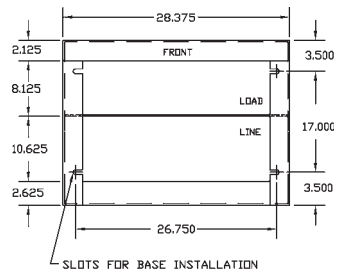
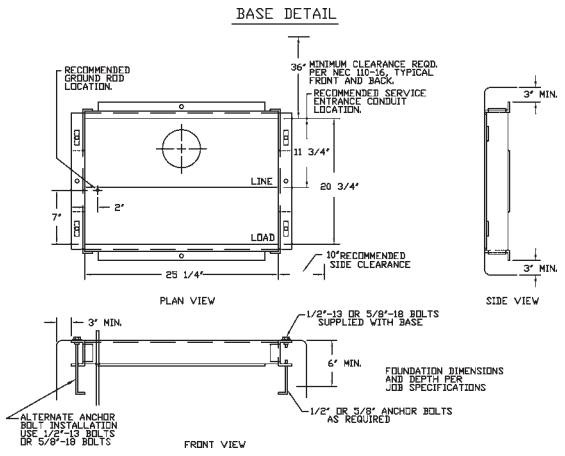
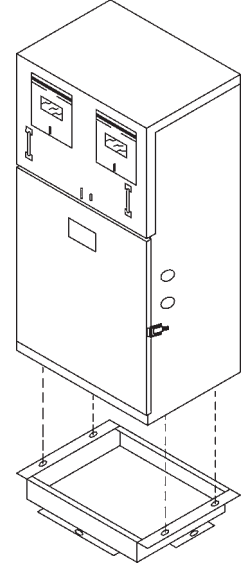
## SPECIFICATIONS

- .125" Aluminum construction.
- Rainproof Type 3R enclosure.
- Complies with Caltrans specification ES-2F.
- Meets EUSERC 308 requirements.
- Utility termination section meets EUSERC 345 and 347 requirements.
- All factory wiring is 600 volt rated copper.
- Acceptable circuit breakers are GE, ITE, Crouse-Hinds/Murray, Cutler-Hammer.
- Suitable for use without main when no more than six service disconnects are installed and used in accordance with article 384 of the NEC.
- Listed by Underwriters Laboratories, Inc.

<b>Standard Models</b> <i>Custom Configurations also available.          Consult your factory representative.</i>	<b>Catalog No.</b>	<b>Amps</b>	<b>Voltage</b>	<b>Main</b>	<b>AIC Rating</b>
	MEUG28-M200/M200	400	120/240	200A/200A	10,000
	<i>For stainless steel enclosure, order MEUG28X-</i>				



**REAR VIEW**  
LESS INSULATED SAFETY BARRIER AND COVERS



Tel: 866-MY-MYERS Fax: 951-520-1961  
[www.myerspowerproducts.com](http://www.myerspowerproducts.com)