

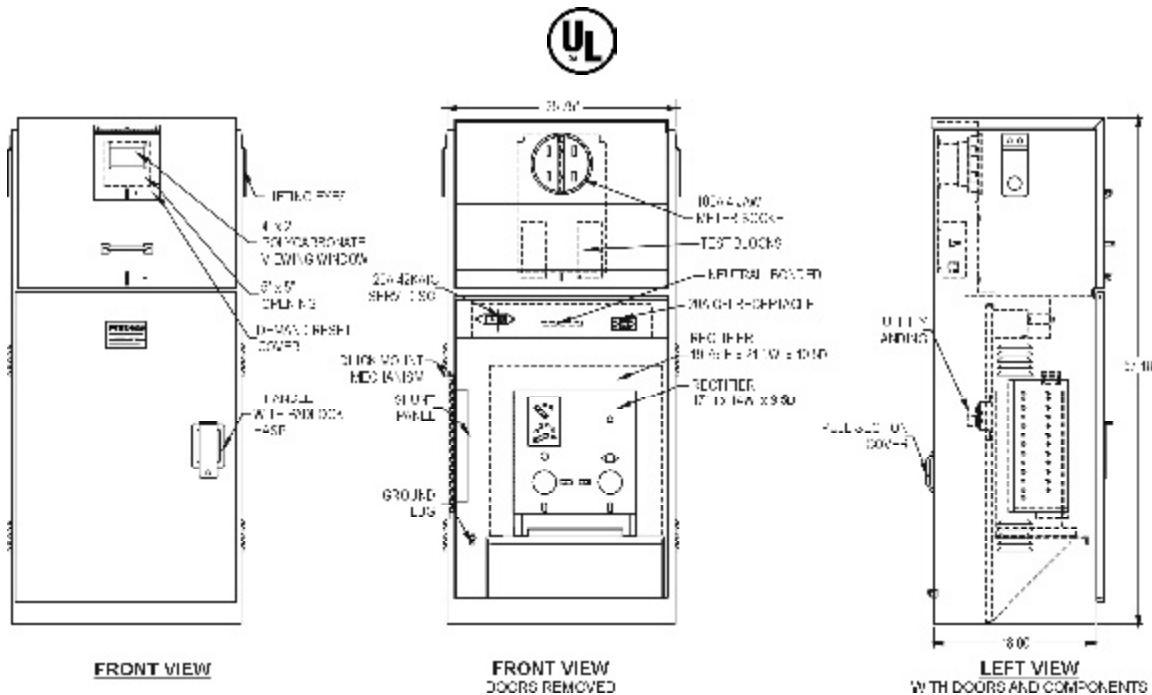


# MEUG26-CC

## CC Series

### Corrosion Control Cabinet

Metered service pedestal to house a rectifier for use in the corrosion control industry



### STANDARD FEATURES

- Standard voltage 120/240V 1ø 3W.
- TGIC polyester powder coat in ASA-70 gray with anti-graffiti clear coat.
- Rectifier section door has weather stripping and a padlockable T-handle latching mechanism.
- Meter socket: 4 jaw, 100 amps, with test blocks.
- 42K AIC 20A 1 pole main circuit breaker.
- 20 amp GFI duplex receptacle.
- Mounting means for 6" x 15" shunt panel.
- 0.125" 5052-H32 aluminum.

### OPTIONAL FEATURES

- Some equipment modifications available. Consult your factory representative.
- Stainless steel enclosure.
- Shunt panel per customer requirements.
- Custom colors available.
- Anchor bolts: Order separately - 714548 (quantity 4); or steel mounting collar: Order separately - 505000.

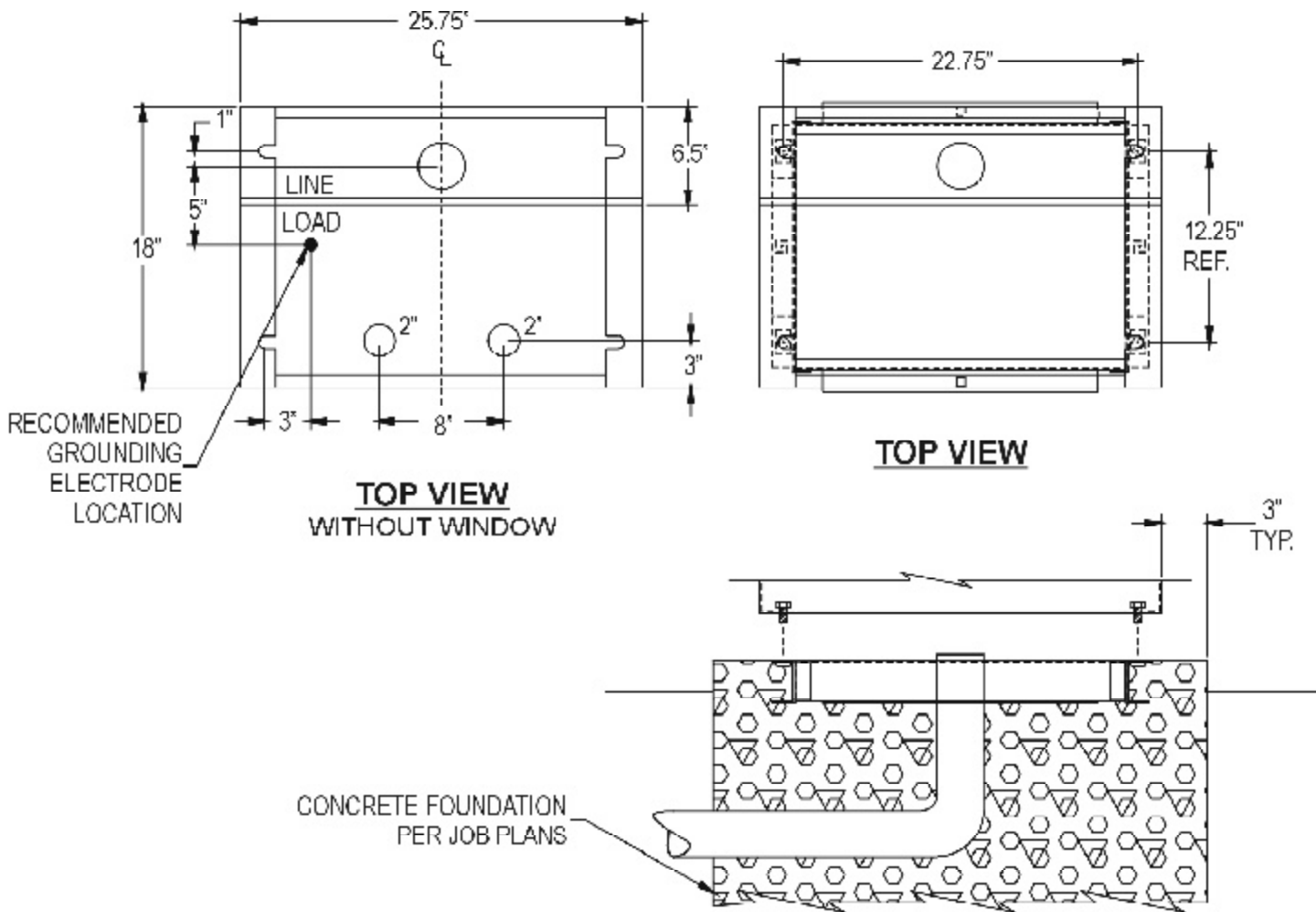
### SPECIFICATIONS

- 0.125" aluminum construction; external hardware is stainless steel.
- Rainproof Type 3R.
- Meets EUSERC 308 requirements
- All factory wiring is 600 volt rated copper.
- Listed by Underwriters Laboratories, Inc.

**STANDARD MODELS**  
*Custom configurations also available.  
 Consult your factory representative*

Catalog No.	Voltage	Phase	Wire
MEUG26-M020-UCC	120/140	1	3
MEUG26-M020-UCC-120	120	1	2
MEUG26-M020-UCC-1224	120/140	3	4
MEUG26-M020-UCC-2448	240/480	1	3
MEUG26-M020-UCC-2748	277/480	3	4

*For aluminum enclosure order MEUG26A-  
 For stainless steel enclosure order MEUG26X-*



Tel: 866-MY-MYERS Fax: 951-520-1961

[www.myerspowerproducts.com](http://www.myerspowerproducts.com)

Specifications are subject to change without notice to reflect improvements and upgrades.