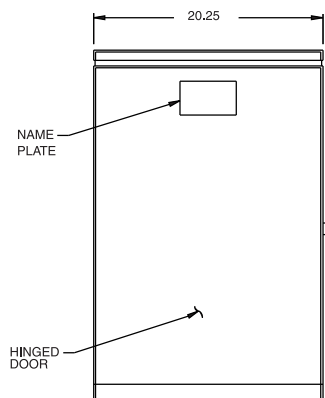




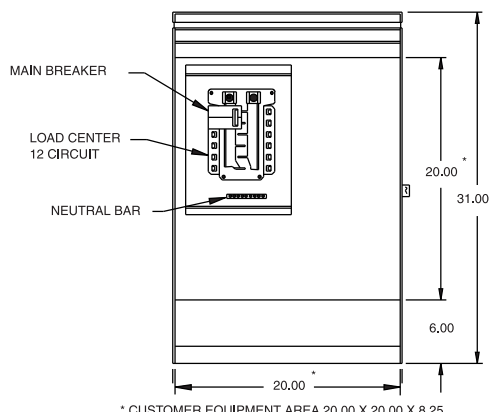
MEUG20-31"

(formerly MEUGS-UM)
Caltrans Type III-BF

Designed to supply unmetered power to remote locations.
Typical applications included parking lot lighting, pump stations, and street lighting.

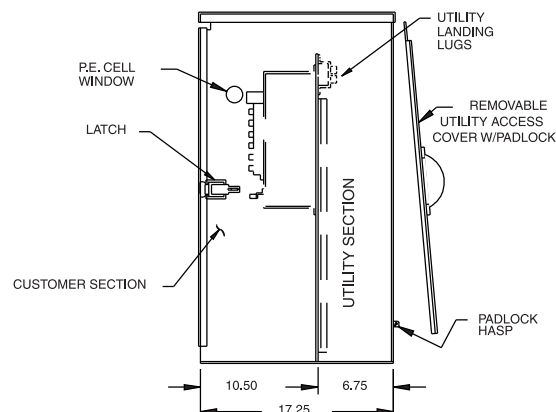


FRONT VIEW



* CUSTOMER EQUIPMENT AREA 20.00 X 20.00 X 8.25

FRONT VIEW
LESS DOOR, DEADFRONT, AND COVER



SIDE VIEW

STANDARD FEATURES

- Standard voltage 120/240V 1 ϕ 3W.
- 12 circuit copper bussed interior.
- Main Breaker: 100 amps or 200 amps, 10k AIC.
- Utility Landing Lugs: 200 amps, 250 kcmil.
- Vandal resistant hinged door and deadfront.
- Light green powder coat finish in accordance with ASTM B-117. Custom colors available.

OPTIONAL FEATURES

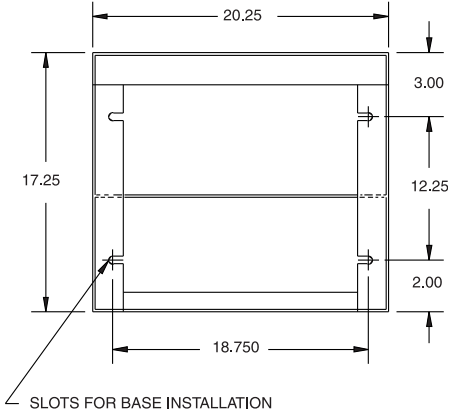
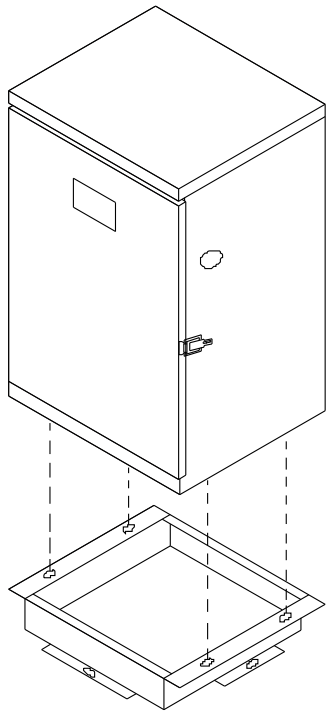
- Maximum voltage 480Y/277V 3 ϕ 4W (may affect optional equipment).
- 12 circuit interior may be increased to 30 circuit.
- Higher AIC available upon request.
- Aluminum and stainless steel cabinets.
- P.E. cell, test switch, lighting relay, receptacles may be added to standard.
- Other equipment modifications available. Consult your factory representative.
- Pad Mounting Base available for concrete foundation. Order separately - MEUG20-BASE.
- Anchor Bolts. Order separately - 714548 (quantity 4).

SPECIFICATIONS

- 12-gauge corrosion-resistant zinc-coated steel construction. Hood and covers 14-gauge.
- Rainproof Type 3R enclosure.
- Complies with Caltrans specification ES-2E.
- Meets EUSERC 308 requirements.
- Acceptable circuit breakers are GE, ITE, Crouse-Hinds/Murray, Cutler-Hammer.
- Vandal-resistant enclosure has side-hinged door and deadfront for easy installation and maintenance.
- All factory wiring is 600 volt rated copper.
- Suitable for use without main when no more than six service disconnects are installed and used in accordance with article 384 of the NEC.
- Listed by Underwriters Laboratories, Inc.

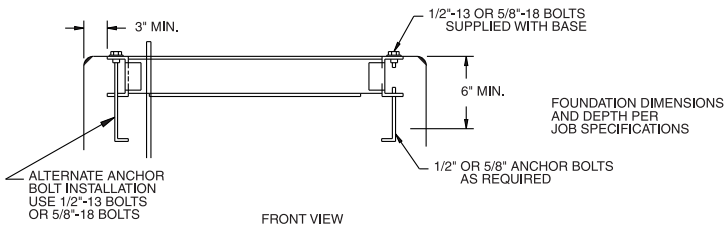
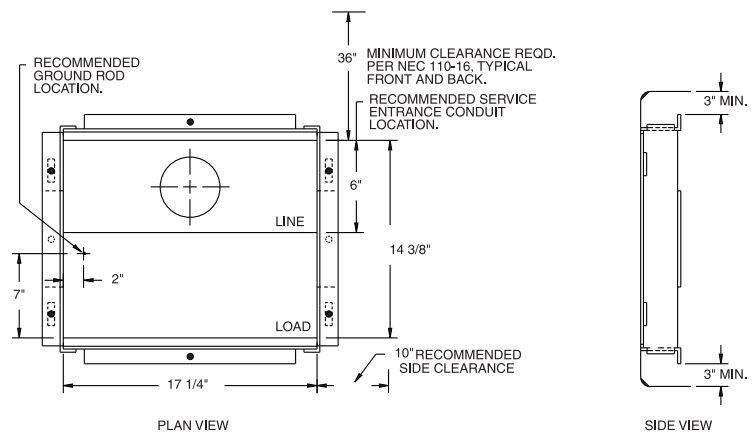
Standard Models
 Custom Configurations also available.
 Consult your factory representative.

Catalog No.	Amps	Voltage	Main	AIC Rating
MEUG20-31"-M100	100	120/240	100	10,000
MEUG20-31"-M200	200	120/240	200	10,000
For aluminum enclosure, order MEUG20A- For stainless steel enclosure, order MEUG20X-				



BOTTOM VIEW
MOUNTING SLOT DETAIL

BASE DETAIL



Tel: 866-MY-MYERS Fax: 951-520-1961
 www.myerspowerproducts.com