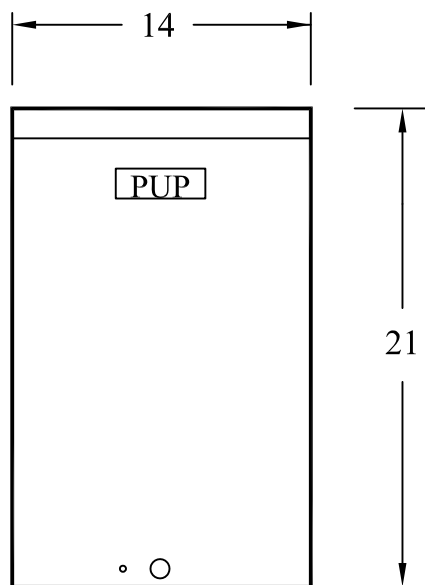
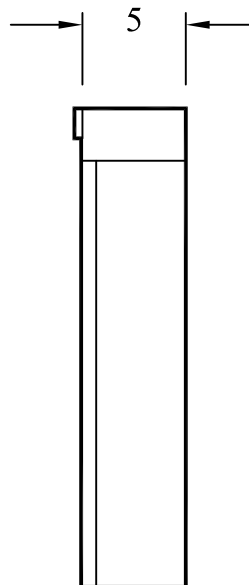


FRONT VIEW



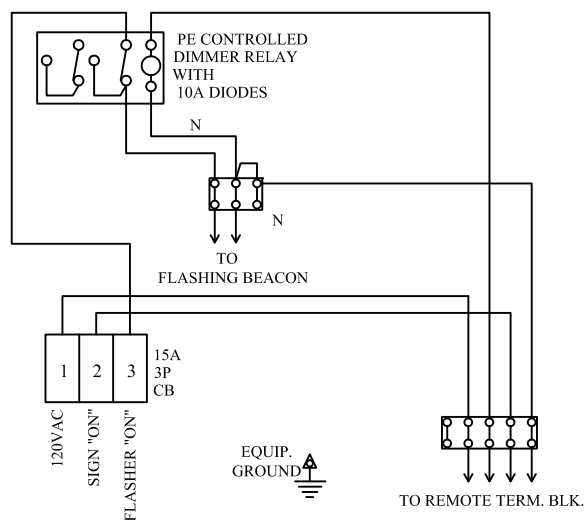
SIDE VIEW



WIRING DIAGRAM

CAT. NO. EMS

120VAC 1PH 2WIRE 15AMPS



EXTINGUISHABLE MESSAGE SIGN ASSEMBLY

TYPICAL APPLICATIONS INCLUDE
BEACON, SIGN LIGHTING
CONTROL AND REMOTE
PHOTOELECTRIC CELL CONTROL

STANDARD FEATURES

- 15A 3P CB 10K
- DIMMER RELAY W/ 10A DIODES
- EQUIPMENT GROUND

CAL TRANS STANDARD

SPECIFICATIONS

- * NEMA 3R CONSTRUCTION
- * POLYESTER POWDER-COATED FINISH EXCEEDS ASTM B-117 SPECIFICATIONS
- * FABRICATED FROM CORROSION-RESISTANT ZINC COATED STEEL
- * ASA 61 GRAY COLOR
- * ALL FACTORY WIRING 600 VOLT RATED COPPER
- * ALL COMPONENTS UL LISTED
- * ALL EXTERIOR DOORS AND COVERS PADLOCKABLE